

**PARTITION & DRAFT CURTAIN TABLE OF CONTENTS**

Draft Curtain Information And Specifications ..... 2

Partition Information And Specifications ..... 2

Partition Wall Details..... 3

    IH0010 – 8” System Transverse Partition Wall..... 3

    IH0020 – Transverse Partition Wall Section Cuts – Purlins..... 4

    IH0030 – Transverse Partition Wall Section Cuts – Joists ..... 5

    IH0040 – Longitudinal Partition Wall ..... 6

    IH0050 – Longitudinal Partition Wall Section Cuts ..... 7

    IH0070 – Longitudinal Partition Wall Section Cuts – Joists To Strut Conn..... 8

Draft Curtain Details ..... 9

    IJ0010 – Transverse Draft Curtain W/ Purlins – Horizontal Bottom Support ..... 9

    IJ0020 – Transverse Draft Curtain W/ Purlins – Parallel Supports ..... 10

    IJ0040 – Transverse Draft Curtain W/ Joists – Horizontal Bottom Support ..... 11

    IJ0060 – Transverse Draft Curtain W/ Joists – Away From Main Frame Rafter 12

    IJ0070 – Longitudinal Draft Curtain W/ Joists..... 13

Recessed Endwall Details ..... 14

    GA0002 – Recessed Endwall Detail..... 14

## **DRAFT CURTAIN INFORMATION AND SPECIFICATIONS**

Additional information Nucor standard draft curtains is available at the Nucor Building Systems website at the below link.

[Nucor Standard Draft Curtain](#)

## **PARTITION INFORMATION AND SPECIFICATIONS**

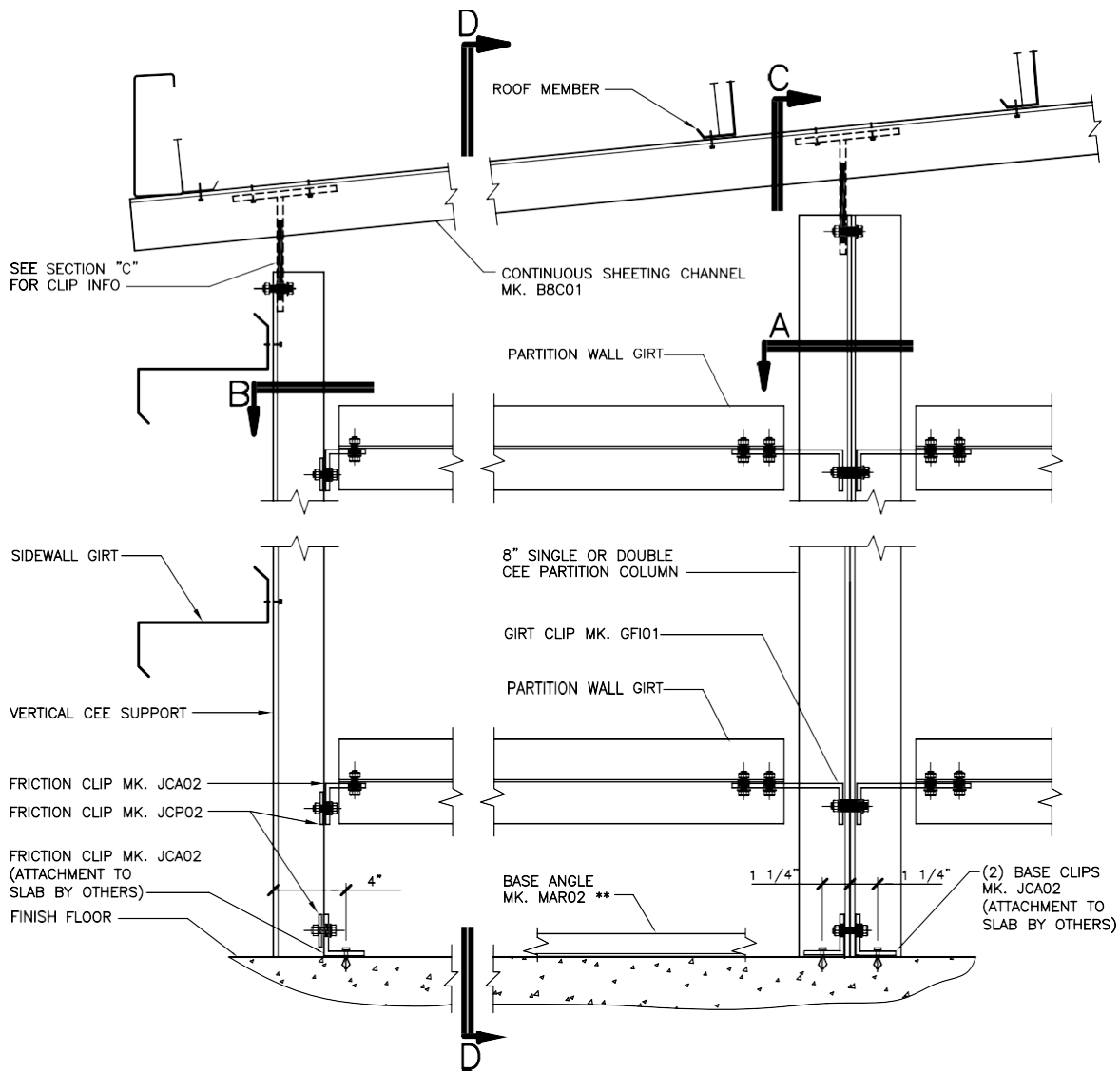
Additional information Nucor standard partition walls is available at the Nucor Building Systems website at the below link.

[Nucor Standard Partition Wall](#)

The following pages provide standard Draft Curtain and Partition Wall details.

**PARTITION WALL DETAILS**

**IH0010 – 8" SYSTEM TRANSVERSE PARTITION WALL**

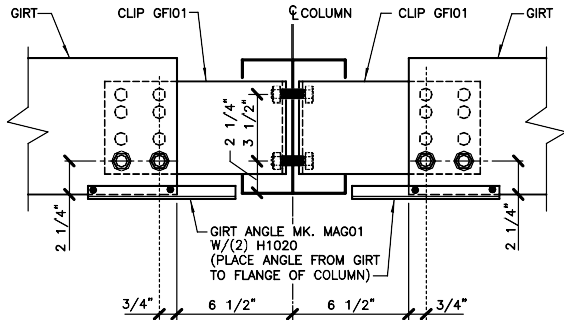


**TRANSVERSE PARTITION WALL**

8" SYSTEM – SINGLE SHEETED NOTE: USE 1/2" X 1-1/4" A307 BOLTS H0500/NUTS H0400. REFERENCE ERECTOR NOTE FOR TYPICAL WASHER REQUIREMENTS. SEE STRUCTURAL ELEVATIONS FOR GIRT/COLUMN MARK NUMBERS. \*\* – FASTEN AT 3'-0" O.C. MAX (FASTENERS NOT BY NUCOR)

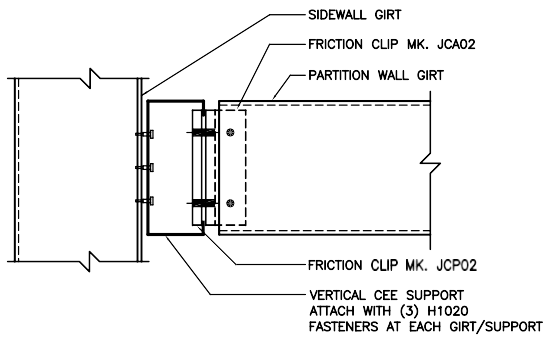
IH0010

**IH0020 – TRANSVERSE PARTITION WALL SECTION CUTS – PURLINS**



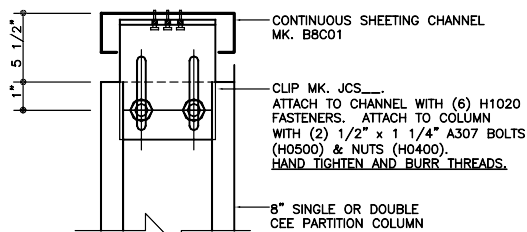
**SECTION "A" TRANSVERSE PARTITION WALL GIRT TO COLUMN**

NOTE: USE (6) 1/2" X 1 1/4" A307 BOLTS H0500/NUTS H0400.  
REFERENCE ERECTOR NOTE FOR TYPICAL WASHER REQUIREMENTS.



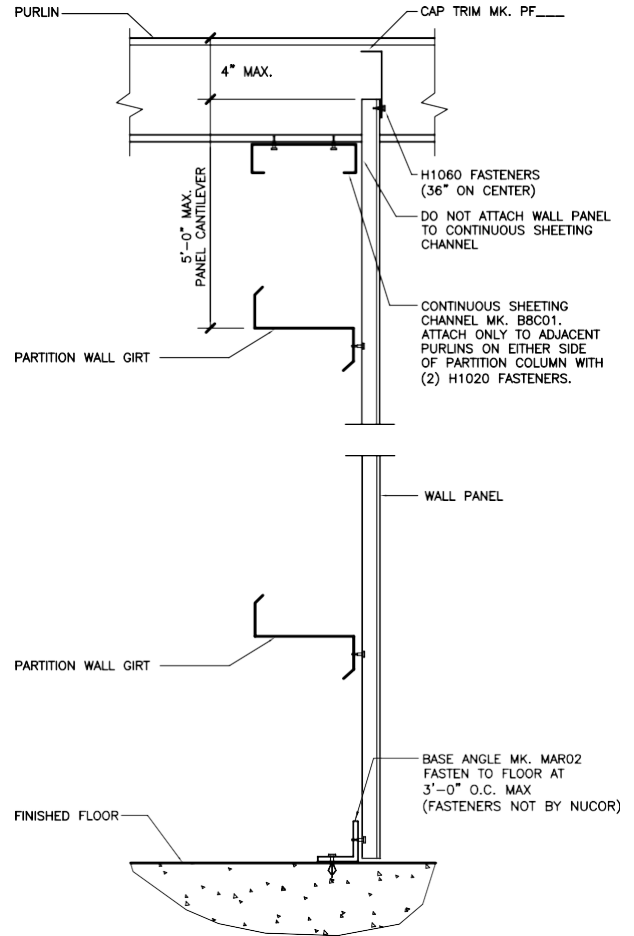
**SECTION "B" GIRT CONNECTION TO VERTICAL CEE SUPPORT**

NOTE: USE (4) 1/2" X 1 1/4" A307 BOLTS H0500/NUTS H0400 U.N.O.  
REFERENCE ERECTOR NOTE FOR TYPICAL WASHER REQUIREMENTS.



**SECTION "C" TRANSVERSE PARTITION COLUMN TO CHANNEL**

REFERENCE ERECTOR NOTE FOR TYPICAL WASHER REQUIREMENTS.



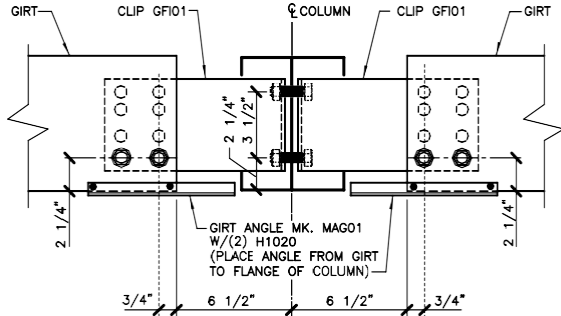
**SECTION "D-D" FULL HEIGHT SECTION AT PARTITION WALL**

SEE WALL SHEETING ERECTION NOTES FOR WALL PANEL FASTENER LOCATIONS

IH0020

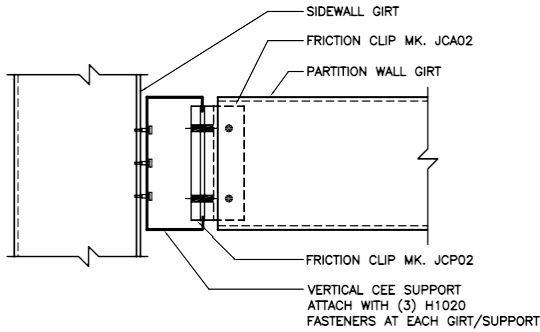


**IH0030 – TRANSVERSE PARTITION WALL SECTION CUTS – JOISTS**



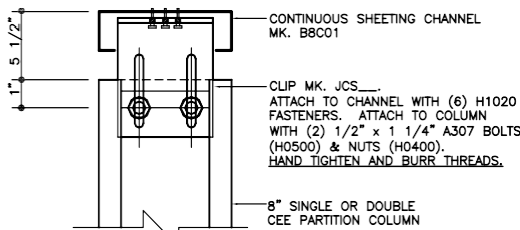
**SECTION "A" TRANSVERSE PARTITION WALL GIRTS TO COLUMN**

NOTE: USE (6) 1/2" X 1 1/4" A307 BOLTS H0500/NUTS H0400.  
REFERENCE ERECTOR NOTE FOR TYPICAL WASHER REQUIREMENTS.



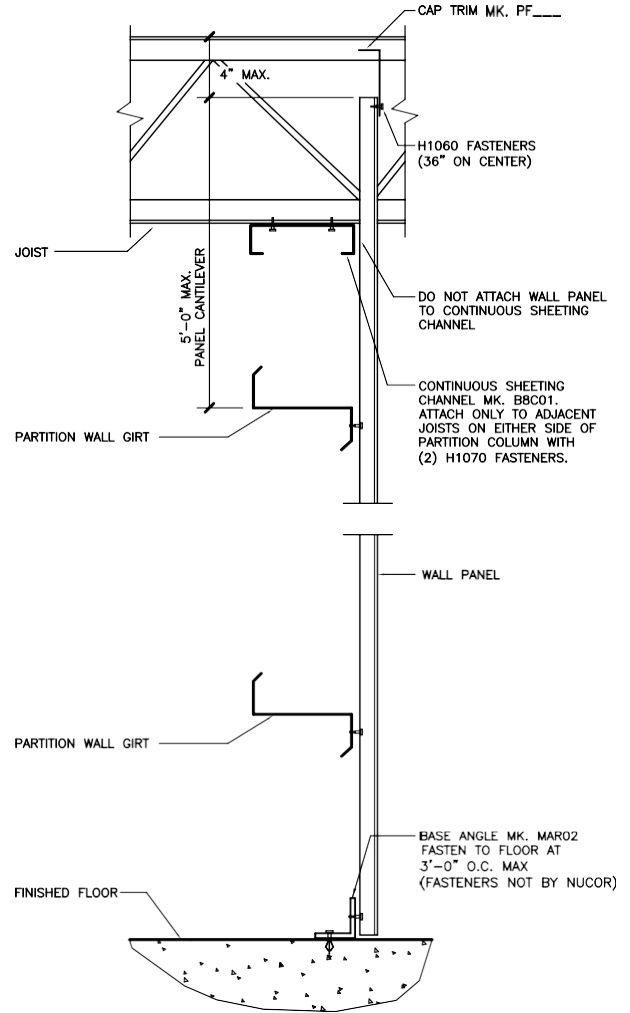
**SECTION "B" GIRTS CONNECTION TO VERTICAL CEE SUPPORT**

NOTE: USE (4) 1/2" X 1 1/4" A307 BOLTS H0500/NUTS H0400 U.N.O.  
REFERENCE ERECTOR NOTE FOR TYPICAL WASHER REQUIREMENTS.



**SECTION "C" TRANSVERSE PARTITION COLUMN TO CHANNEL**

REFERENCE ERECTOR NOTE FOR TYPICAL WASHER REQUIREMENTS.



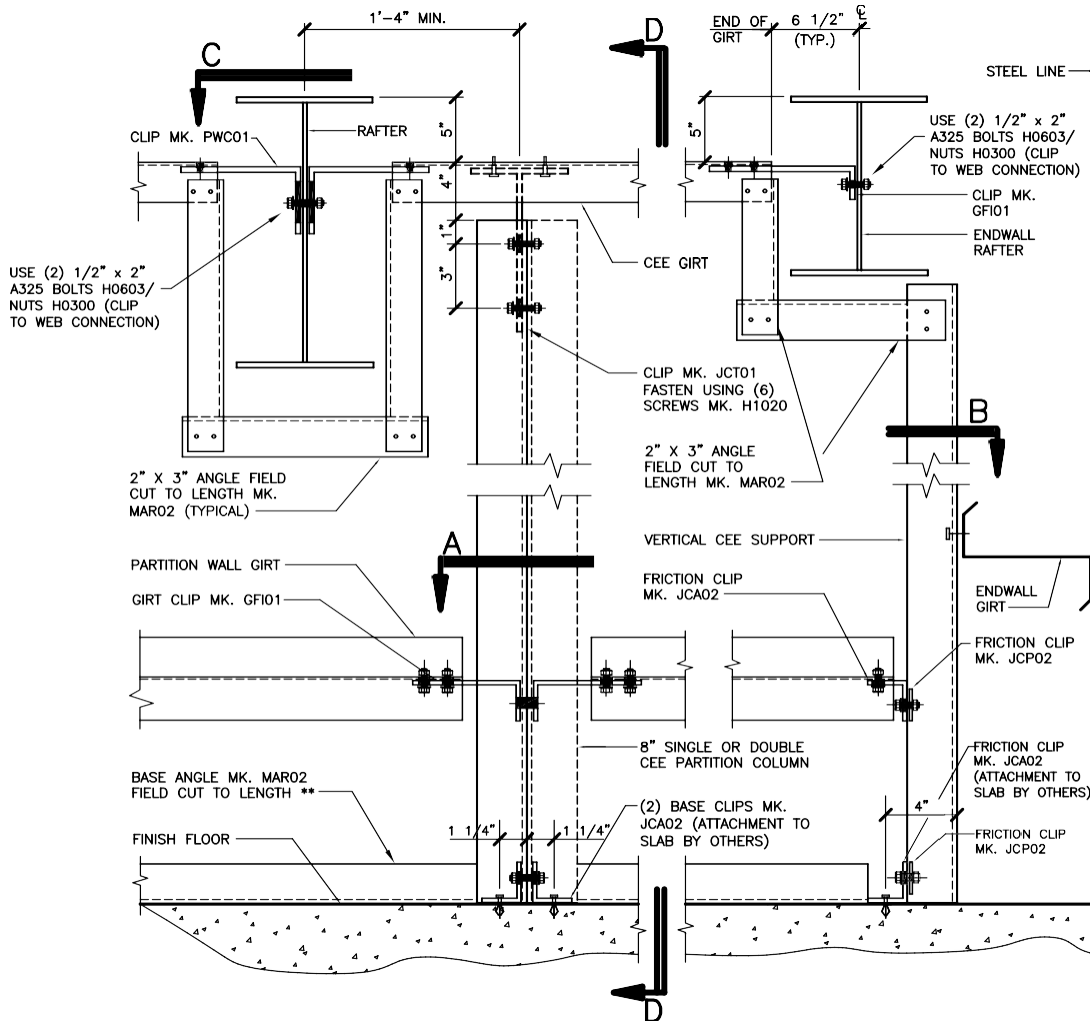
**SECTION "D-D" FULL HEIGHT SECTION AT PARTITION WALL**

SEE WALL SHEETING ERECTION NOTES FOR WALL PANEL FASTENER LOCATIONS

IH0030  
02/01/11



**IH0040 – LONGITUDINAL PARTITION WALL**



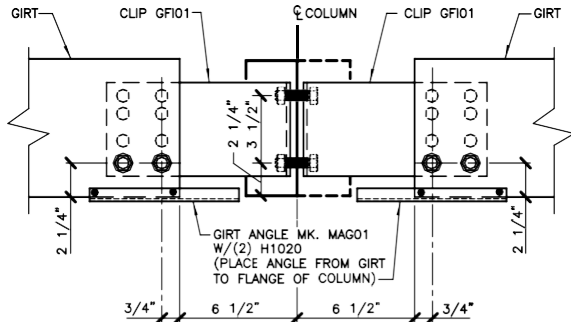
**LONGITUDINAL PARTITION WALL**

8" SYSTEM NOTE: USE 1/2" X 1-1/4" A307 BOLTS/NUTS U.N.O. REFERENCE ERECTOR NOTE FOR TYPICAL WASHER REQUIREMENTS. SEE STRUCTURAL ELEVATIONS FOR GIRT/COLUMN MARK NUMBERS.  
 \*\* - FASTEN AT 3'-0" O.C. MAX (FASTENERS NOT BY NUCCOR).

IH0040

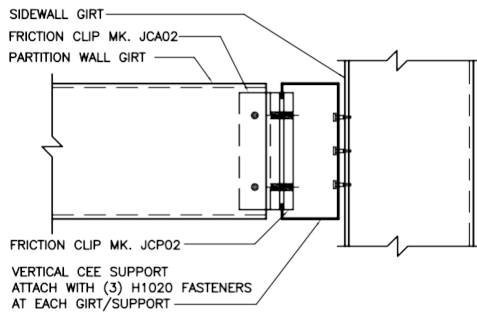


**IH0050 – LONGITUDINAL PARTITION WALL SECTION CUTS**



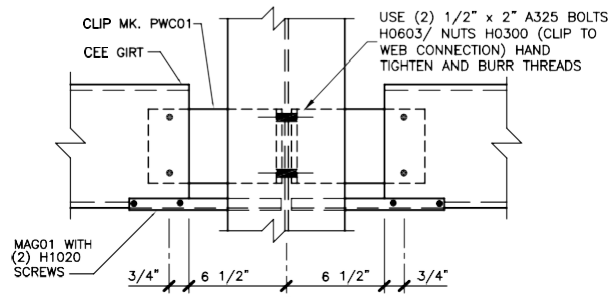
**SECTION "A" LONGITUDINAL PARTITION WALL GIRTS TO COLUMN**

NOTE: USE (6) 1/2" X 1 1/4" A307 BOLTS H0500/NUTS H0400.  
REFERENCE ERECTOR NOTE FOR TYPICAL WASHER REQUIREMENTS.



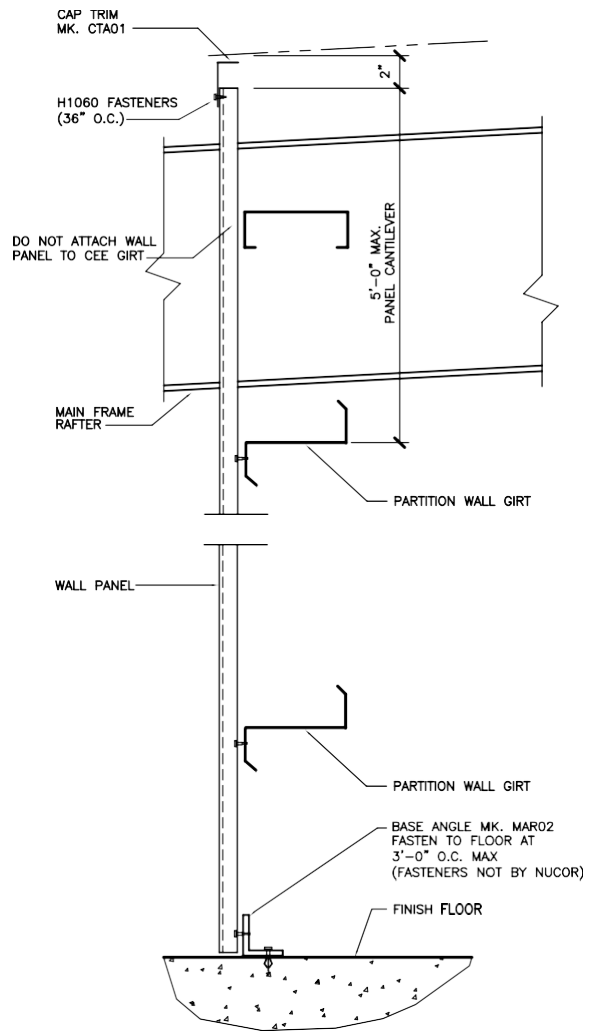
**SECTION "B" GIRTS CONNECTION TO VERTICAL CEE SUPPORT**

NOTE: USE (4) 1/2" X 1 1/4" A307 BOLTS H0500/NUTS H0400 U.N.O.  
REFERENCE ERECTOR NOTE FOR TYPICAL WASHER REQUIREMENTS.



**SECTION "C" LONGITUDINAL PARTITION WALL TO RAFTER**

NOTE: USE (4) 1/2" X 1 1/4" A307 BOLTS H0500/NUTS H0400.  
REFERENCE ERECTOR NOTE FOR TYPICAL WASHER REQUIREMENTS.



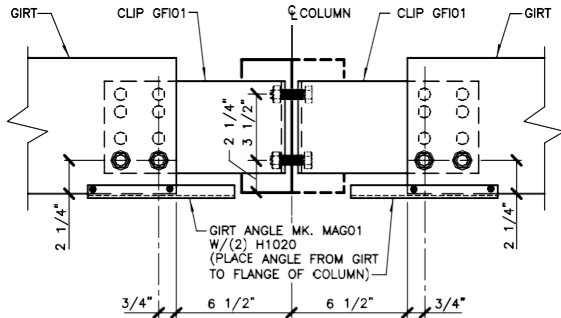
**SECTION "D-D" FULL HEIGHT SECTION AT PARTITION WALL**

SEE WALL SHEETING ERECTION NOTES FOR WALL PANEL FASTENER LOCATIONS

IH0050

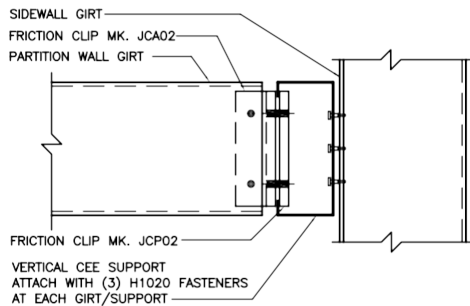


**IH0070 – LONGITUDINAL PARTITION WALL SECTION CUTS – JOISTS TO STRUT CONN.**



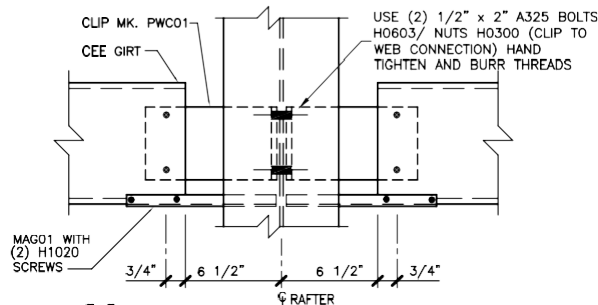
**SECTION "A" LONGITUDINAL PARTITION WALL GIRTS TO COLUMN**

NOTE: USE (6) 1/2" X 1 1/4" A307 BOLTS H0500/NUTS H0400.  
REFERENCE ERECTOR NOTE FOR TYPICAL WASHER REQUIREMENTS.



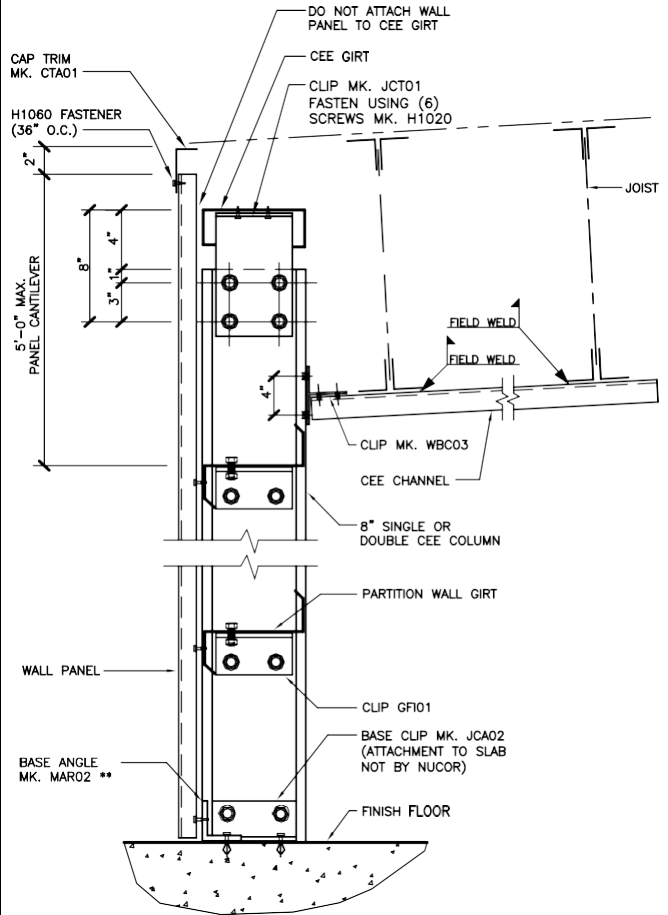
**SECTION "B" GIRTS CONNECTION TO VERTICAL CEE SUPPORT**

NOTE: USE (4) 1/2" X 1 1/4" A307 BOLTS H0500/NUTS H0400 U.N.O.  
REFERENCE ERECTOR NOTE FOR TYPICAL WASHER REQUIREMENTS.



**SECTION "C" LONGITUDINAL PARTITION WALL TO RAFTER**

NOTE: USE (4) 1/2" X 1 1/4" A307 BOLTS H0500/NUTS H0400.  
REFERENCE ERECTOR NOTE FOR TYPICAL WASHER REQUIREMENTS.



**SECTION "D-D" FULL HEIGHT SECTION AT PARTITION WALL**

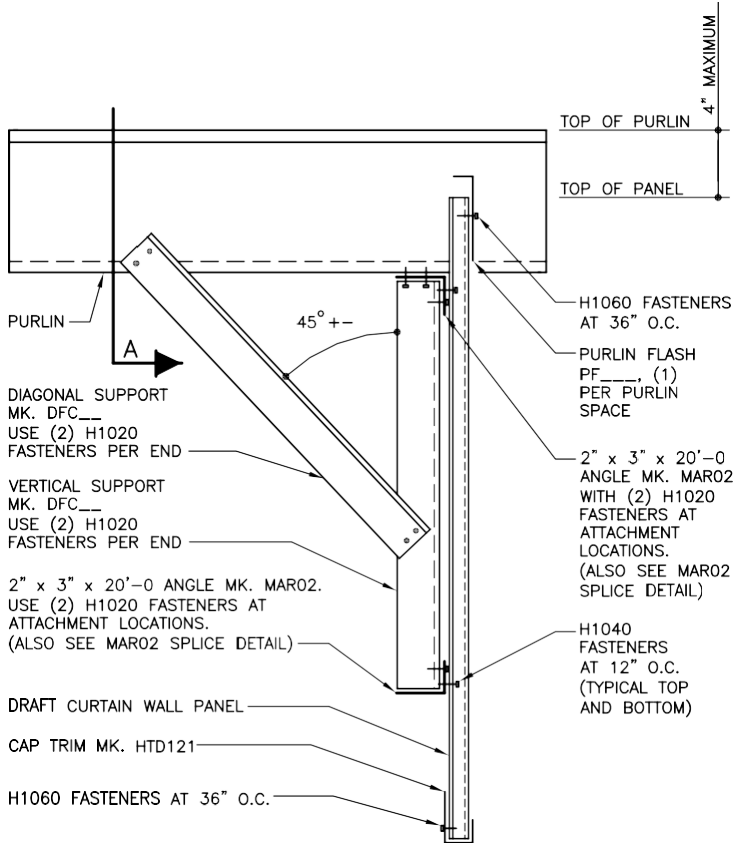
NOTE: USE 1/2" X 1 1/4" A307 BOLTS H0500/NUTS H0400 U.N.O.  
REFERENCE ERECTOR NOTE FOR TYPICAL WASHER REQUIREMENTS  
SEE WALL SHEETING ERECTION NOTES FOR WALL PANEL FASTENER LOCATIONS  
\*\* - FASTEN AT 3'-0" O.C. MAX (FASTENERS NOT BY NUCOR)

IH0070



**DRAFT CURTAIN DETAILS**

**IJ0010 – TRANSVERSE DRAFT CURTAIN W/ PURLINS – HORIZONTAL BOTTOM SUPPORT**

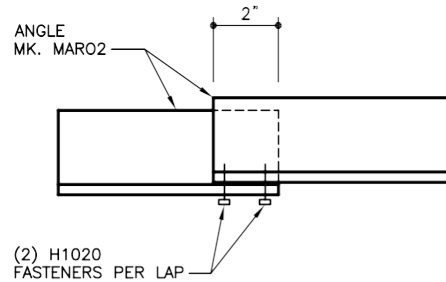


**ERECTION NOTES:**

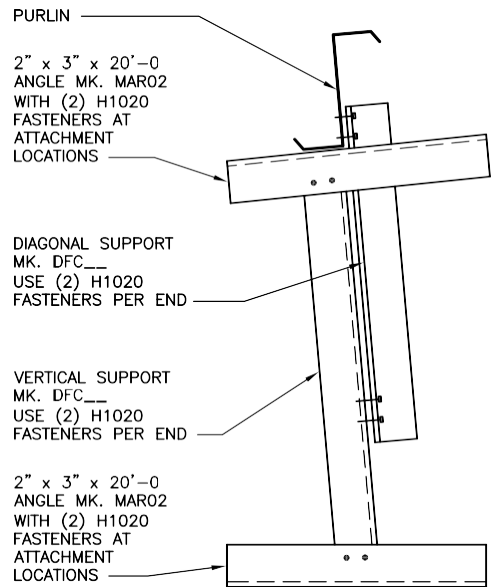
- 1) DIAGONAL & VERTICAL SUPPORTS RUN WITH THE ROOF SLOPE
- 2) SEE ELEVATION DRAWINGS FOR SUPPORT LOCATIONS
- 3) VERTICAL SUPPORTS ARE TO HAVE A MAXIMUM SPACING OF 11'-0"
- 4) FIELD COPE PANELS AT PURLINS AS REQUIRED

**DRAFT CURTAIN DETAIL**  
TRANSVERSE DRAFT CURTAIN

IJ0010

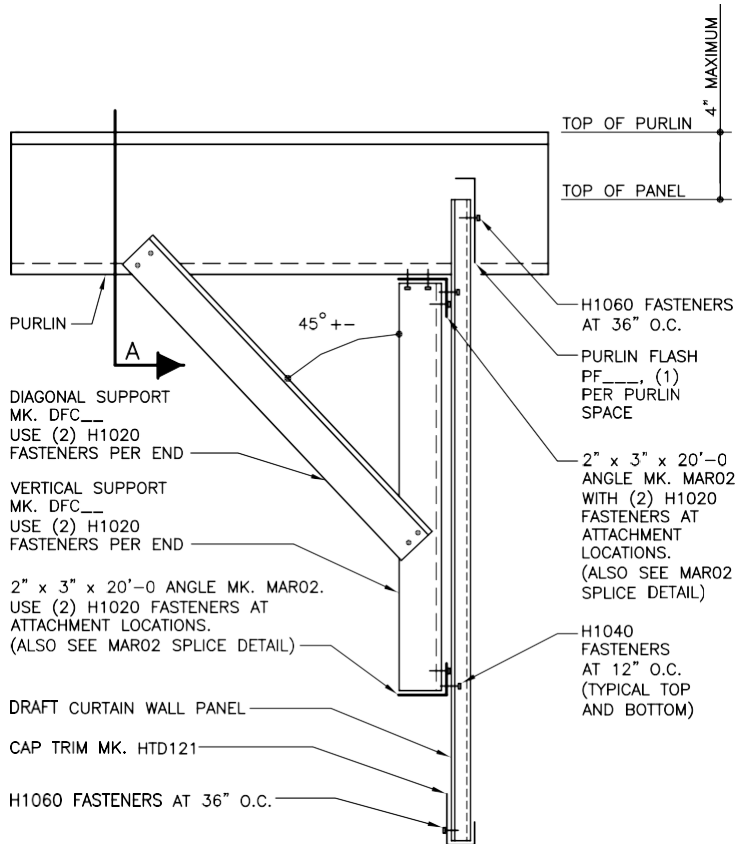


**MAR02 SPLICE DETAIL**



**SECTION A**

**IJ0020 – TRANSVERSE DRAFT CURTAIN W/ PURLINS – PARALLEL SUPPORTS**



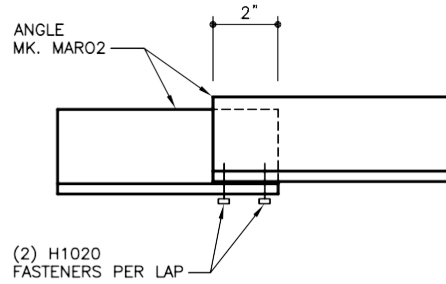
**ERECTION NOTES:**

- 1) DIAGONAL & VERTICAL SUPPORTS RUN WITH THE ROOF SLOPE
- 2) SEE ELEVATION DRAWINGS FOR SUPPORT LOCATIONS
- 3) VERTICAL SUPPORTS ARE TO HAVE A MAXIMUM SPACING OF 11'-0"
- 4) FIELD COPE PANELS AT PURLINS AS REQUIRED

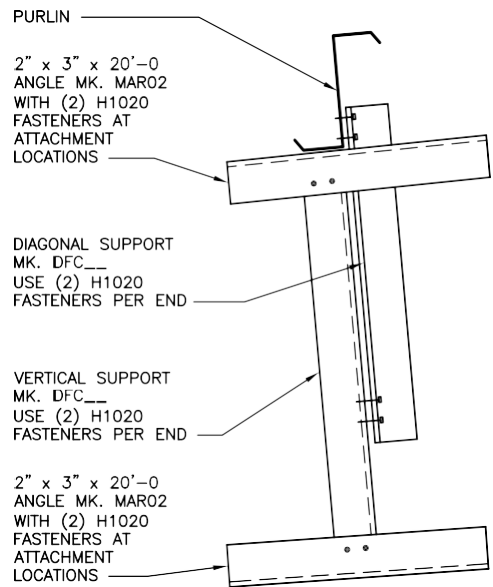
**DRAFT CURTAIN DETAIL**

TRANSVERSE DRAFT CURTAIN

**IJ0020**

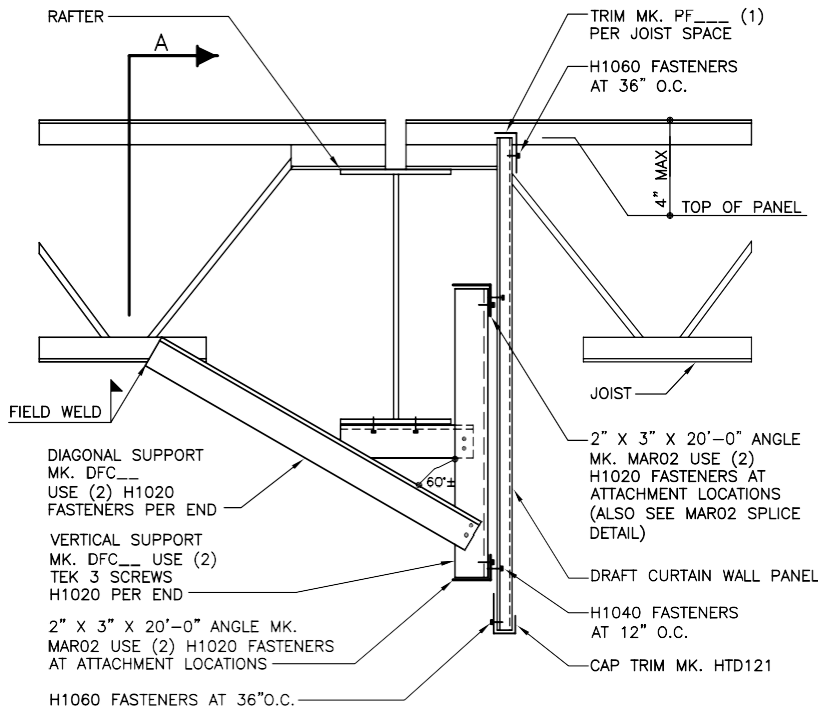


**MAR02 SPLICE DETAIL**



**SECTION A**

**IJ0040 – TRANSVERSE DRAFT CURTAIN W/ JOISTS – HORIZONTAL BOTTOM SUPPORT**



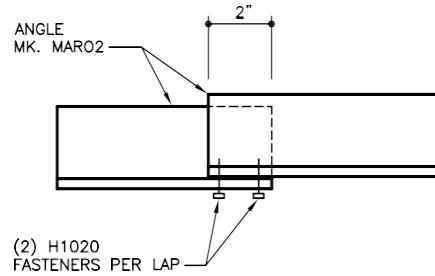
**ERECTION NOTES:**

- 1) DIAGONAL & VERTICAL SUPPORTS RUN WITH THE ROOF SLOPE
- 2) SEE ELEVATION DRAWINGS FOR SUPPORT LOCATIONS
- 3) VERTICAL SUPPORTS ARE TO HAVE A MAXIMUM SPACING OF 11'-0"
- 4) FIELD COPE PANELS AT JOISTS AS REQUIRED

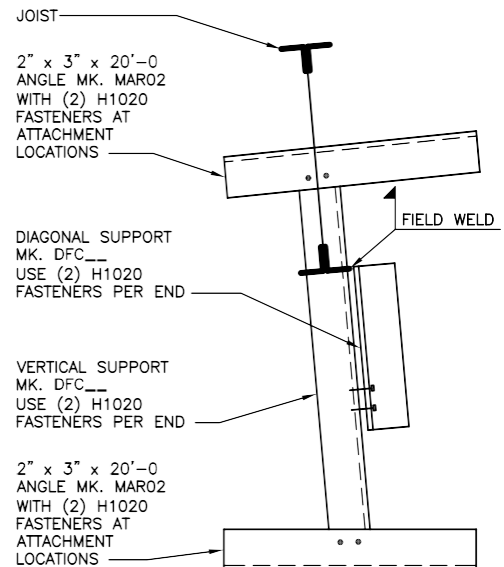
**DRAFT CURTAIN DETAIL AT JOIST**

TRANSVERSE DRAFT CURTAIN

IJ0040



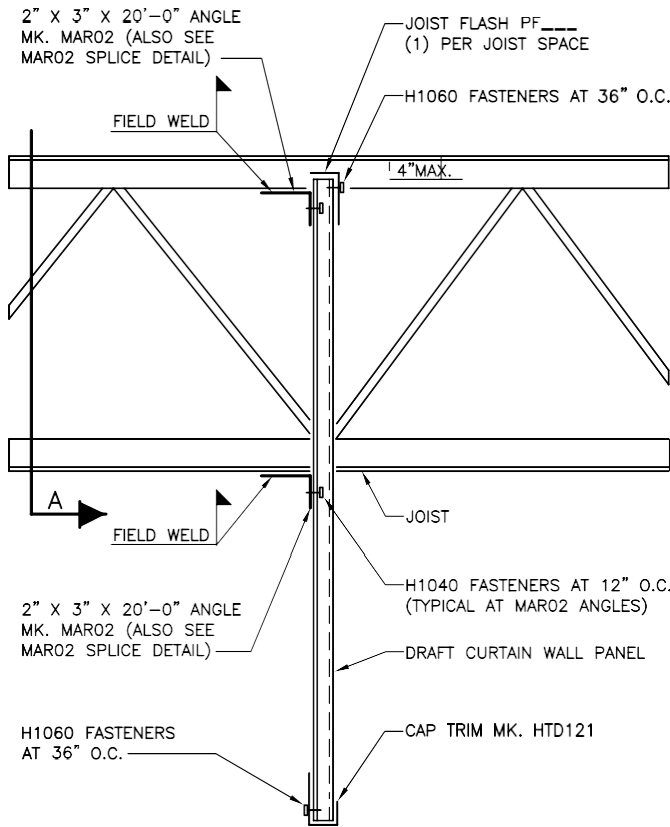
**MAR02 SPLICE DETAIL**



**SECTION A**

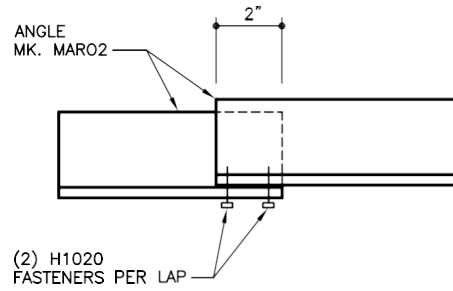
RAFTER NOT SHOWN  
FOR CLARITY

**IJ0060 – TRANSVERSE DRAFT CURTAIN W/ JOISTS – AWAY FROM MAIN FRAME RAFTER**

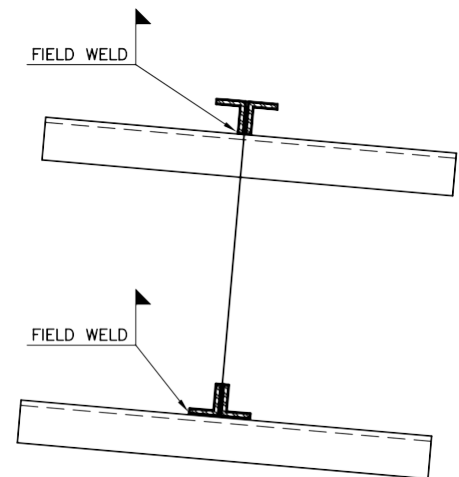


**DRAFT CURTAIN DETAIL AT JOIST**  
TRANSVERSE DRAFT CURTAIN

**IJ0060**



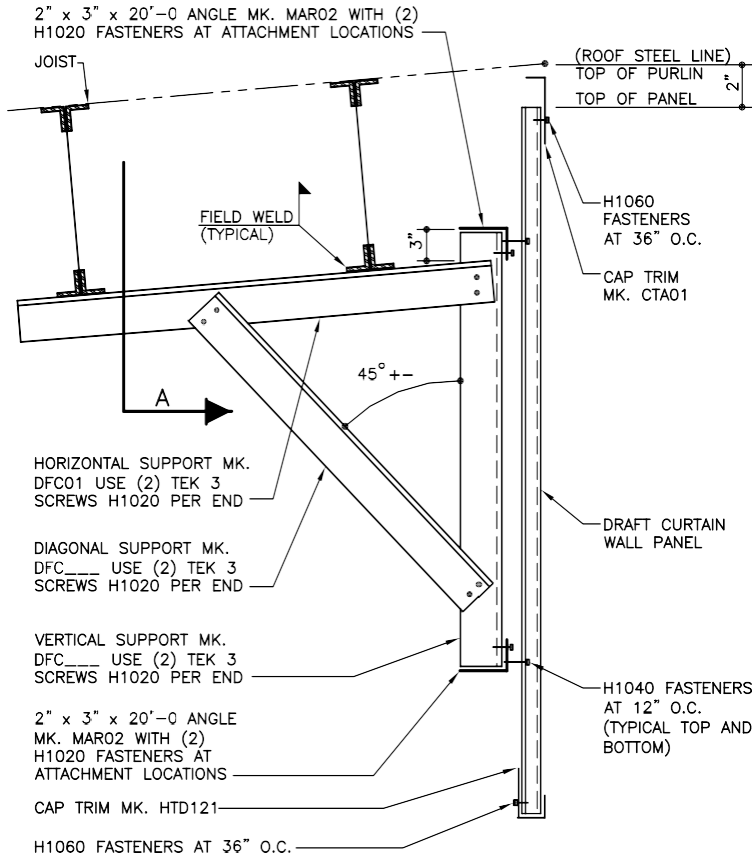
**MAR02 SPLICE DETAIL**



**SECTION A**



**IJ0070 – LONGITUDINAL DRAFT CURTAIN W/ JOISTS**

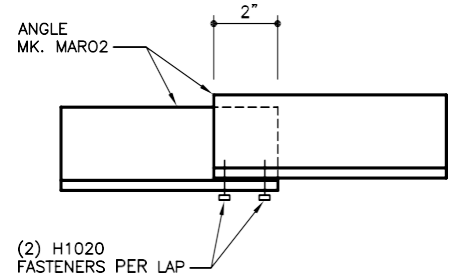


**ERECTION NOTES:**

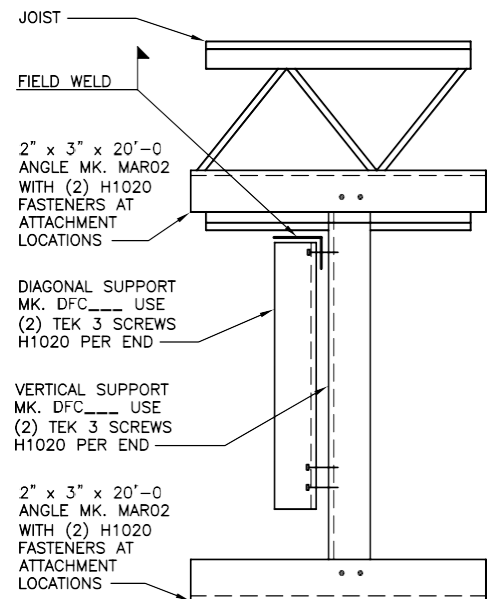
- 1) SEE ELEVATION DRAWINGS FOR SUPPORT LOCATIONS
- 2) HORIZONTAL SUPPORT MUST BE FASTENED TO (2) JOISTS
- 3) FIELD CUT PANELS AT RAFTERS AS REQUIRED

**DRAFT CURTAIN DETAIL**  
LONGITUDINAL DRAFT CURTAIN

IJ0070



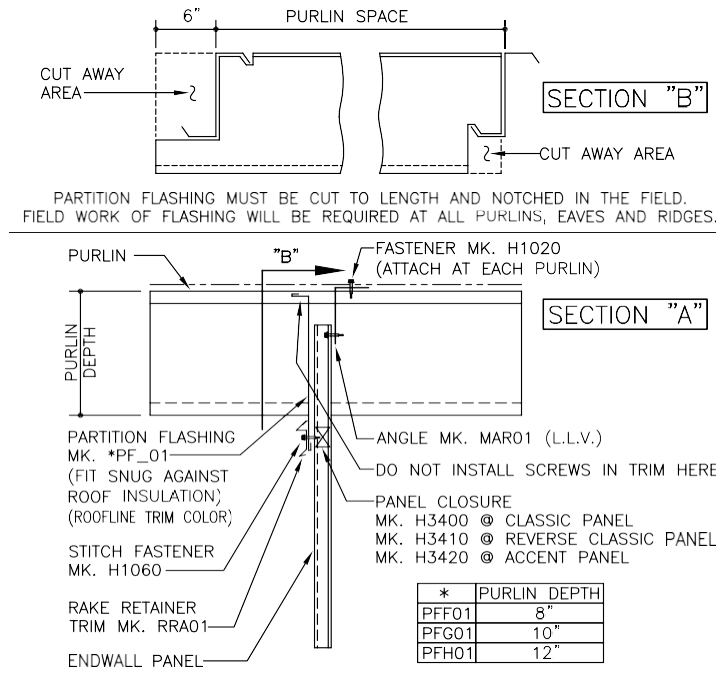
**MAR02 SPLICE DETAIL**



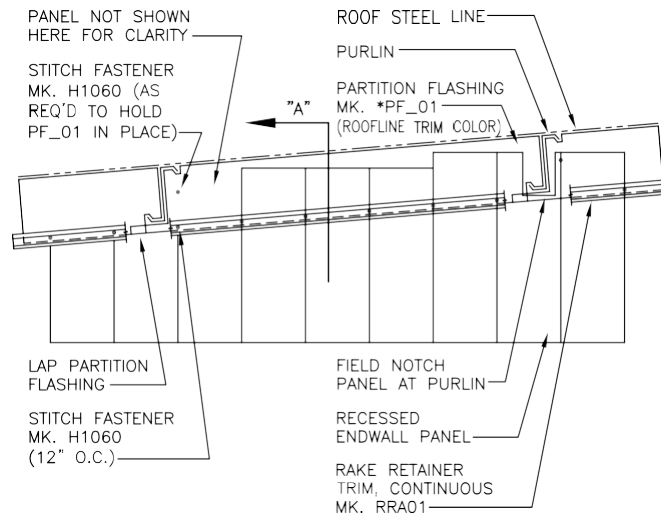
**SECTION A**

**RECESSED ENDWALL DETAILS**

**GA0002 – RECESSED ENDWALL DETAIL**



ROOF SHEETING AND ROOF INSULATION NOT SHOWN FOR CLARITY



**RECESSED ENDWALL DETAIL**

AT EXPOSED RECESSED ENDWALL

**GA0002**